

Pull type grape harvester  
GREGOIRE G3.220

**GREGOIRE**

PASSEZ À L'AVENIR\*

When maneuverability  
rhymes with pull type



**G3**

\*SHIFT TO THE FUTURE

More than 40 years  
of experience

---



During the years  
GREGOIRE has been  
able to develop its  
products to meet all  
of your harvesting  
requirements.



GREGOIRE offers a wide range of vineyard maintenance tools : sprayers, self-propelled or trailed harvesters for grapes and olives. The main qualities of the GREGOIRE products range are performance, reliability and low maintenance costs.

These key qualities make GREGOIRE the preferred supplier even for the most demanding end users.

The GREGOIRE product range is distributed and serviced via a worldwide network of distributors which are trained to provide professional advice and a top class after sales service.

Staying close to our customers allow us a great reactivity and a complete understanding of our customers' expectations

GREGOIRE has obtained a leading position in nearly all grape growing countries in the world.

Besides viticulture, GREGOIRE also developed harvest solution for olives.

Working with olive growers from the really beginning GREGOIRE is today one of major player in that industry.

**Choosing GREGOIRE means choosing the most reliable and highest quality supplier in mechanization of grapes and olives.**

## Summary

GREGOIRE G3.220	p.2
Frame	p.4
Control	p.6
Harvesting module	p.8
On board sorting system	p.10
Features	p.12

**1978, GREGOIRE  
GH Hydraulic**  
Proven reliability



**1989, GREGOIRE ARC  
Picking Head System**  
Has won worldwide recognition as the softest picking head on the market



**2001, GREGOIRE 100-Series**  
Simple & Effective



**2009, G7, G8**  
Shift to the future







Pull type grape  
harvester G3.220

... Shift to the future

**G3**

Frame



When maneuverability  
and lightness  
meet together.



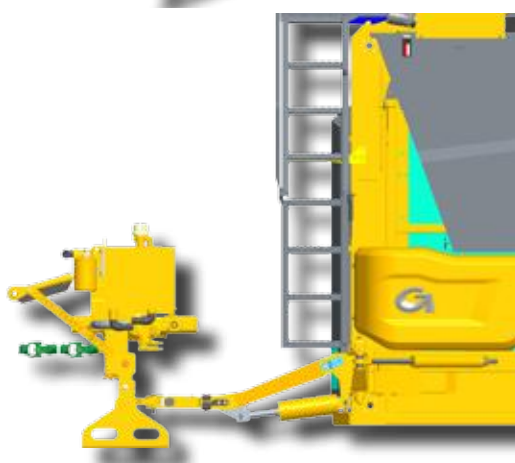
## User friendly, compact and lightness

- **User friendly** : easy driving operation even in hardest conditions
- **Compactness** : Compact size and reduced volume perfectly adapted to difficult harvest conditions
- **Lightness** : low soil compaction and easy management with low powered tractors
- **700 mm elevation** : Optimized slope correction for easier work even in difficult situations



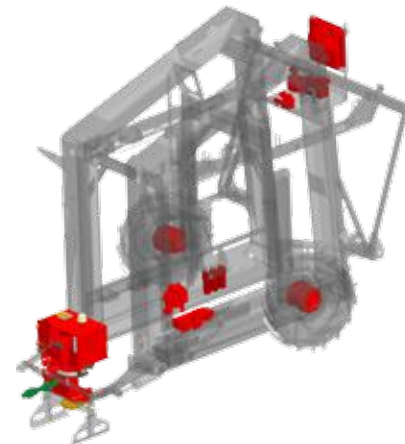
## Easy and quick linkage

- **Integrated hydraulic power pack** : with support stand, quick fitting, easy access to the tractor three point linkage
- **Hydraulic pumps** : smart location, close to the three point linkage, fitted under the hydraulic tank
- **Hydraulic unit** : 70L oil capacity fitted on three point linkage for a reduced grape harvester weight



## Articulated and compact draw bar

- **Operated from the driver cab** : maximum maneuverability in every situation and perfect precision thanks to the joystick
- **Compact draw bar** : perfect visibility on the picking head tunnel



## Unrivaled transmission

- **820 cm<sup>3</sup> wheel motors** : high climbing capacities, easy work even in hardest conditions
- **Load Sensing hydraulic pump** : extra pressure absorption for a longer wheel motors life span
- **OVERboost** : Oil pressure booster for maximal climb capacities



## Auto guiding

- **Automatic row following system** : no damage in the vineyard; reduces drive fatigue
- **Picking tunnel self-alignment sensors** : automatic alignment over the row, for comfortable and safe driving operation : driver can focus on others tasks
- **Priority to manual control** : Operator may at any time take back control of the machine by actuating the joystick



## Access and maintenance

- **Secured platform** : access to the upper part of the machine for easy settings and maintenance
- **Large size platform** : secured and facilitated interventions
- **Centralized greasing points** : easy and quick maintenance
- **Foldable ladder** : no damage to the vegetation, convenient access to the platform

## Controls



When long hours  
become shorter ...





## Optimized controls

- **Headlands sequencing** : Machine height sequencing (simultaneous or independent) and other machine function (picking head, conveying belt, fans on/off) when turning in headlands
- **Semi-automatic slope correction** : A simple push is sufficient to level the machine: ground levelling is optimized the machine works always flat
- **Front/Rear simultaneous elevation**



## Ergonomic and compact control box

- **Compact control console** : space saving, perfectly adapted to narrow cabs & specialized tractors
- **Perfect ergonomics** : easy to use and comfortable for long working hours
- **Controls integrated in the armrest** : more accurate and fatigue free



## MULTIdrive®, exclusive joystick

- **Pivot mounted joystick** : the joystick controls three times more functions (GREGOIRE patent)
- **Total control** : includes all machine functions ( Draw bar, height, slope, picking head, headlands sequencing, bins ..)
- **Auto level** : a special button controls the semi-automatic slope correction whatever the joystick position

*Experience same driving sensation as a self-propelled machine*



## TOUCHpad, tactile and colour screen

- **Colour screen** : easy reading of the centralized data so you can focus on driving the harvester
- **Centralized data screen** : a complete display of most of the harvester functions in one glance which means more efficiency and security for the operator
- **Intuitive drawings** : easy understanding and use
- **Easy set up** : quick navigation, 3 possible ways : tactile, contactors or scroll



## User friendly display

- **Real time display** : all components speeds are displayed in real time for a perfect control of your harvest
- **Slope indicators** : keep control of your harvester inclination
- **Bin filling gauge with colour screen display** : color codes allows an easy and fast reading
- **Automatic camera management** : during dumping operations a colour camera is automatically displayed on the TOUCHpad screen

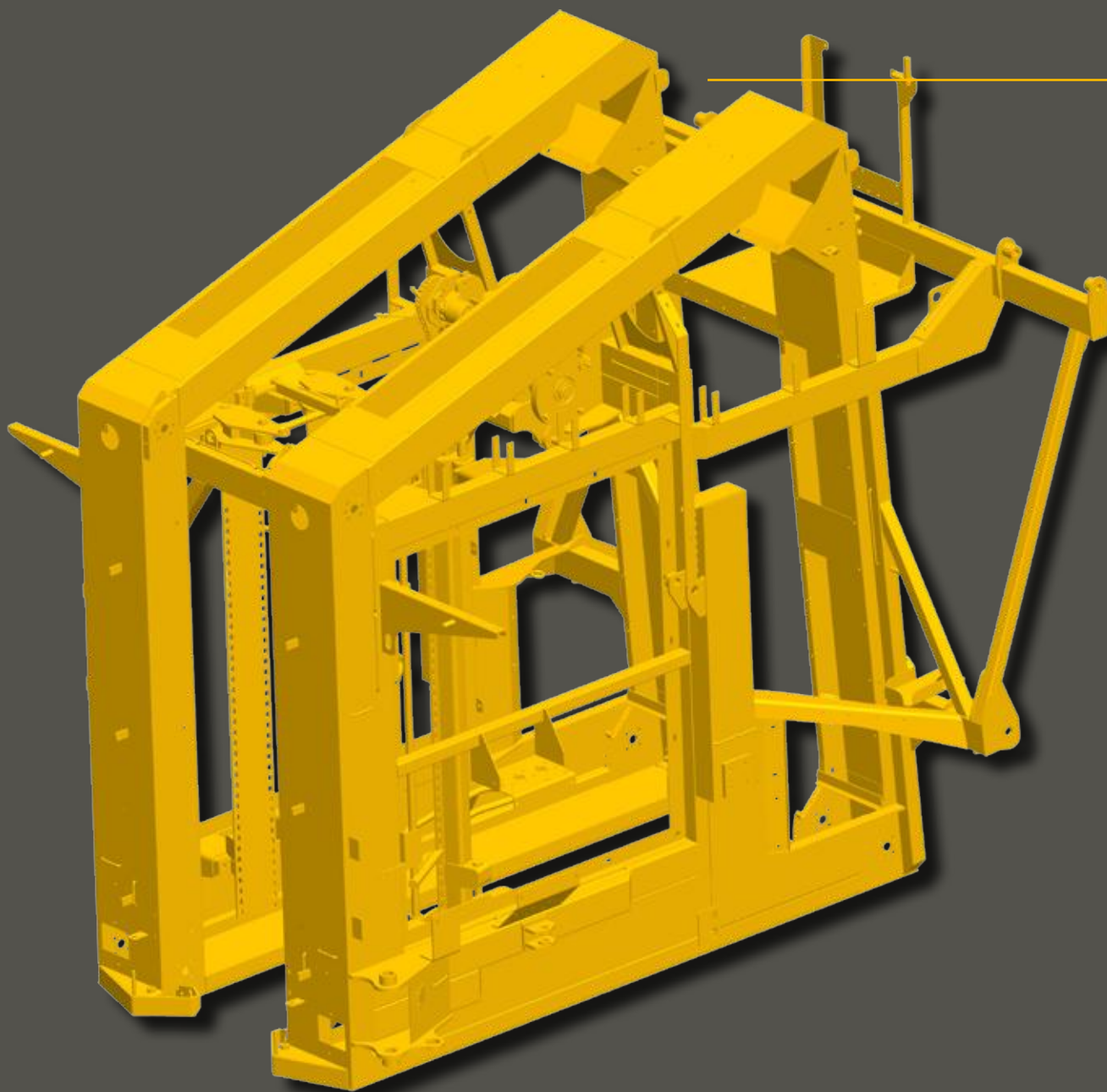


## More & more ...

- **Setting recording** : settings are stored and can be retrieved back quickly
- **Plot recording** : picking head hours , number of hectares picked, working hours
- **Data transfer** : data can be recorded and transferred to a laptop or desktop computer

Harvesting module

**C3**

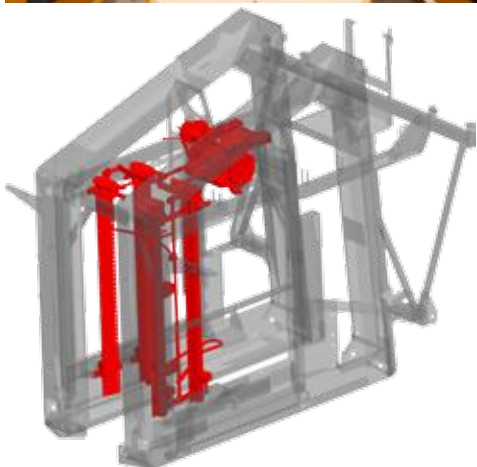


When technology  
contributes to quality



## Hydraulic pinch adjustment

- **Eccentric bloc rotation** : no friction between parts, great reliability
- **Adjustable from the cab** : easy adaptation to all types of vines
- **Large width setting range** : always get the right setting to every harvesting condition
- **New compact eccentric bloc** : reduced size & weight for a lighter machine



## Optimized driving system

- **Two picking posts** : double driving system, uniform checking cinematic for a great picking quality and a total respect of your vines
- **Two shakers support system** : low shaking frequency, high work speed
- **Mounted on heavy duty silent blocks** : no vibrations and extremely reliable

## ARC shakers : Soft pick & efficiency

- **Adjusting the active zone** : quick and accurate setting of the shakers position for a perfect adaptation to every picking conditions
- **Exclusive shape** : ARC shape assures that the rods are longer in contact with the fruit bearing zone and also pick very well around the intermediate posts
- **Exclusive material** : long lasting and very hard wearing



## Optimized catching area

- **Pneumatic catcher trays system** : return in position thanks to pneumatic stiffeners, pressure is adjustable to respect all type of vines
- **Pneumatic cushion** : quick and perfect adaptation to vine types and scale wearing
- **Picking height only 15 cm from the bottom** : GREGOIRE can pick grapes at 15 cm from the ground (the lowest in the market), no losses of grapes and no grapes that get left behind
- **Important water tightness, 2200mm** : high work speed, no loses on the ground



## Conveying : efficiency and respect of the grape

- **Supple belt driving system** : made by pendulum system, automatic tensioning depending on yields, belt respect in case of sudden tension
- **Simple belt routing** : no trituration, no blockage risks, open system for a total respect of your grapes
- **Exclusive GREGOIRE belt** : long lasting, reliable and repairable

## Maximal cleaning, minimal loses

- **Bottom cleaning fans and vertical cane extractors** : Cleaning and wood extraction right after grapes are picked, no juice loss no blockage risks
- **Top fan on option** : maximum cleaning efficiency even at high speed
- **All settings available from drivers cab** : all functions and cleaning fans speed are operated from the driver cab





**The EASYclean system developed by GREGOIRE is an on board sorting system designed for simplicity, resulting in low running costs and maximum cleaning efficiency.**

The EASYclean system works where Harvest is collected and transferred to a plastic chain where the berries fall through the chain links with minimal trituration. Full grape bunches are separated tanks to a gentle oscillating sorting head.

### **A revolutionary sorting system**

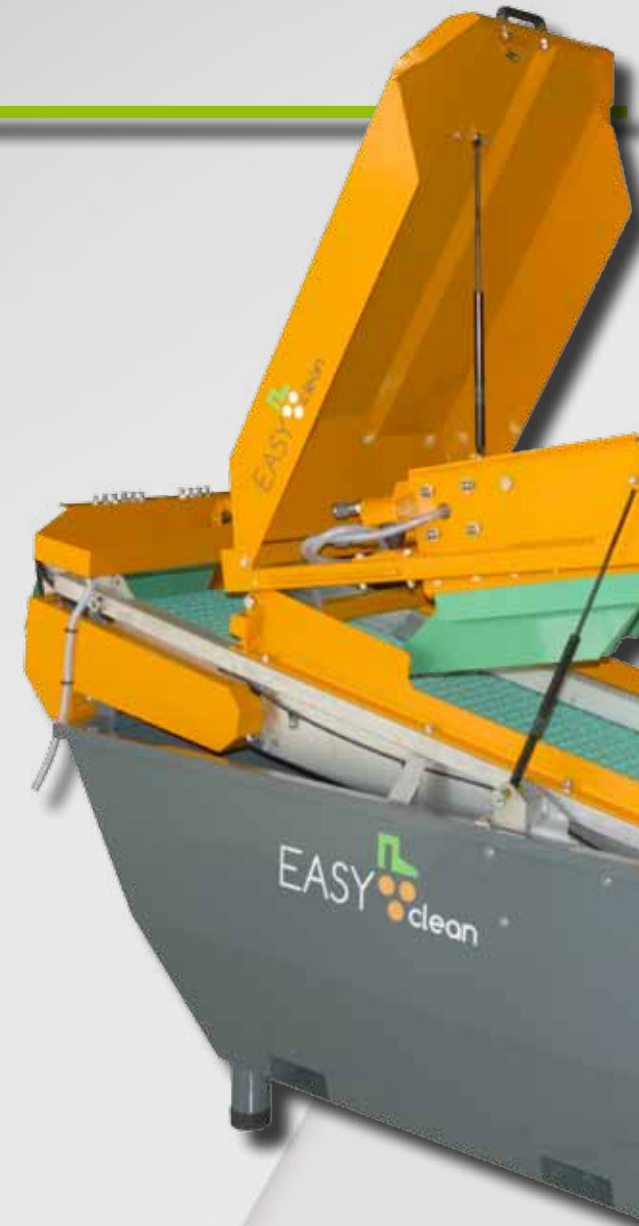
- Linear sorting process
- Simple working principals with only one sorting process
- Assembly
  - Food quality plastic chain covering the whole bin length: **Maximal sorting area**
  - Destemming head with oscillating fingers
  - Sorting by inertia with no shaking: **Total respect of the grape with optimal quality**

### **An easy working process**

1. The plastic chains rotates
2. Chain slightly vibrates to ease the free berries through the chain links : **Minimal trituration**
3. Chain is supplied with grape thanks to transversal belts
4. Grapes are spread onto the chain and driven underneath the destemmer head
5. Due to the soft finger oscillating motion whole clusters of grapes are destemmed and loose berries fall into the bins
6. MOG (stem, petioles, leaf) are evacuated from the sorting system back into the vineyard

### **A regular feeding**

- Chain is supplied with grapes thanks to transversal belts
- Transversal belts can be speed adjusted which controls evening spreading of berries onto the chain
- Perfect adaption to all yields and working speeds





## Easy and intuitive settings

- 2 settings only: Speed rotation and oscillating frequency (altered from the drivers cabin)
- Easy to work in all conditions
- Perfect view and setting thanks to the platform used on all Gregoire models

## Easy and quick retraction

- As a viticulturist you have the option to Destem and sort grapes or Not.
- **EASYclean** is fully retractable.
- **EASYclean** is lifted and disengaged by hydraulic cylinders..
- **EASYclean** is totally off when lifted, meaning no useless wearing.
- When **EASYclean** is disengaged Harvest is directly collected into bins with no sorting or destemming.

## Automatic destemmer head lift up

- The destemmer head is lifted up automatically for:
  - Emptying fruit from harvester
  - Washing and maintenance
- **EASYclean** oscillating unit will be lift up just by using the bins contactors.

## 100% sorting system access

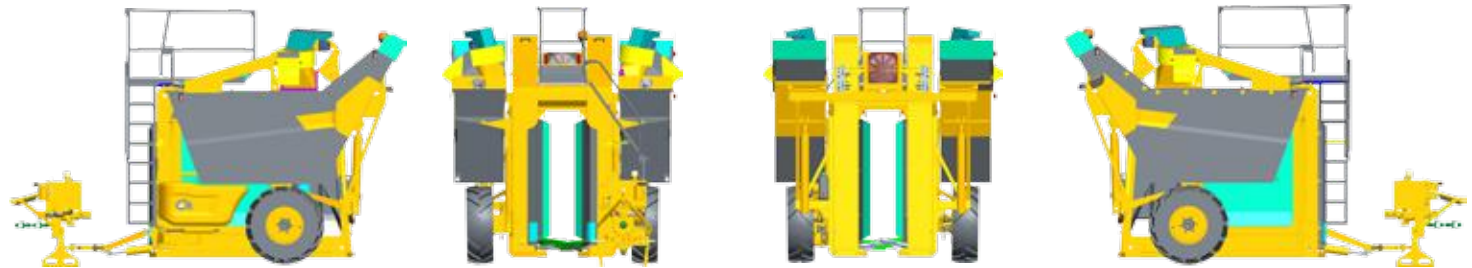
- Perfect access thanks to the safe and sturdy platform
- Destemmer head hood easily opened assisted by a gas strut to view a large operating area
- Centralised greasing points enabling easy and quick maintenance

## 99,8% cleaning quality on bins \*

- The exclusive finger oscillating motion allows to separate berries and MOG.
- All the harvest is treated:
  - Stalks elimination (full stalks)
  - Leaves elimination (full leaves)
  - Petioles elimination
  - MOG elimination thank to large sorting area
- Working speed is preserved thanks to it's large sorting area
- MOG extraction directly in the plot : no additional logistic. Harvest is directly put into wine tank.
- Centralised greasing points enabling easy and quick maintenance.

\*Tests performed by IFV (independent French vine/wine institute) in 2016 with Syrah





	Total length	Total width	Total height (conveyor on the ground)	Bins height (conveyor on the ground)	Width at bins level	Wide	Wide at wheels	Height axis dump bins (conveyor on the ground)	Deflection of leg
G3.220 two 13 hl bins	4500	2950	3070-3320**	2665	2880-(2640 at 1.60m)	2185	2550	2255	700
G3.220 two 15 hl bins	4500	2950	3070-3320**	2665	2880	2185	2550	2255	700

\*\*-First value for the total height with folded guardrail

# Equipement

G3.220	
<b>For plantations</b>	
Minimum width	1,50 m
Height maximum	1,95 m
<b>Linkage</b>	
Three point	Standard
<b>Transmission</b>	
Wheel drive	Standard
Wheel drive operated from control box	Standard
Hydraulic lifting/lateral slope correction	700mm / 25%
Tyres	360/70R20
<b>Hydraulic</b>	
On board hydraulic power pack	Standard
Tractor hydraulic needs	On 2 fans version
Oil tank capacity	70 l
Filtration system	Pressure + return
<b>Harvesting module</b>	
Shakers	14 Alum. support, height and number setting
Réglage de pincement	Standard
Number of catcher trays	2x18
Water tightness length	2200 mm
Soil clearance catcher tray	Less than 15 cm
Conveyor width	320 mm
Distance between conveyors	650 mm
Conveying speed	Adjustable and reversible
Conveyor alarm	Standard
Central greasing points	Standard

G3.220	
<b>Cleaning</b>	
Bottom cleaning fans	Standard
Vertical cane extractors	Standard
Top cleaning fans	Depend on version
<b>EASYCLEAN®</b>	Depend on version
<b>Bins</b>	
Bin capacity	2600 l standard / 3200 l option
Discharge height	3000mm
Emptying method	Rear

\*Specifications are indicative, in order to constantly improve its products, GREGOIRE reserves the right to modify specifications without notice

\*\* This literature has been compiled for worldwide circulation. While general information, pictures and descriptions are provided, some illustrations and text may include product, options and accessories NOT AVAILABLE in all regions.

\*\*\* The equipment complies with European Directives 2002/44 / EC and 2003/10 / EC

# GREGOIRE know-how to serve your vineyard

With over 30 years experience in the mechanization of vineyards, GREGOIRE offer a complete range dedicated to grape and olive harvesting and spraying.

## Stay oriGinal !

To benefit from a high performance harvester and a constant reliability during the years it is important to maintain your machine with GREGOIRE Original spare parts. The Original spare parts offer your equipment a long lifetime. They are made to fit and have the right specifications.



The use of GREGOIRE Original spare parts will limit your risk of break downs and it also optimizes your lower cost of operation.



[www.gregoire.fr](http://www.gregoire.fr)



### GREGOIRE G7 & G8



### GREGOIRE ECOPROTECT



### GREGOIRE G10.380



## GREGOIRE

89, avenue de Barbezieux  
CS70213 Châteaubernard  
FR-16111 Cognac Cedex

Tel. +33 5 45 82 23 49

Fax. +33 5 45 82 94 43

[contact@gregoiregroup.com](mailto:contact@gregoiregroup.com)

[www.gregoire.fr](http://www.gregoire.fr)

# GREGOIRE